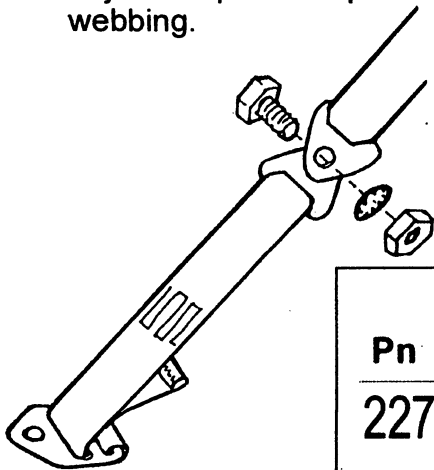


SEAT BELT

EXTENDER

Intended for use by those who otherwise would be unable to make use of a standard length belt.

- Fits all makes of Seat Belt where the webbing is attached to the vehicle by a set screw/bolt.
- Adjusts to provide up to 16" of additional webbing.



Comprises of parts as used in the manufacture of Seat Belts to European / British Standards and is manufactured in an ISO 9001:2000 Quality controlled environment.

Fitting:

Disconnect the lower outside end of existing Seat Belt from anchor point.

Securely connect the small end of the extender to the existing Seat Belt using the bolt / washer / nut provided.

Before connecting the extender to the floor anchor point, adjust the length, through the double slotted anchor, to ensure the metal parts of the existing belt / extender connection will not lie against the belt wearer when in use.